



■ Vers. 225+281+010+489+100

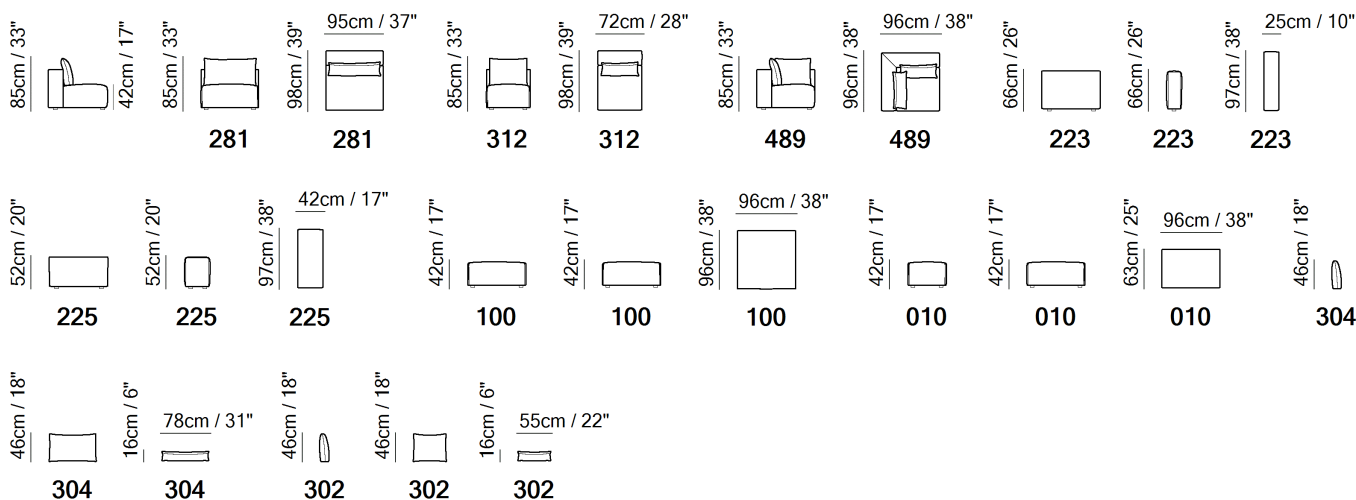


■ Vers. 225+281+010+312+223

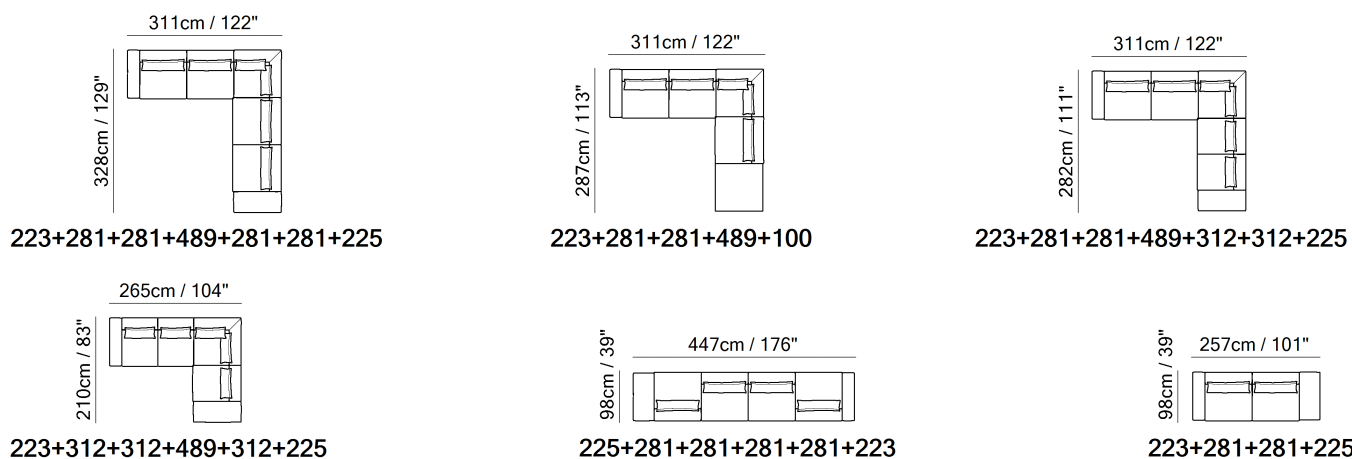


■ Vers. 010+312+312





ESQUEMAS



EXEMPLOS DE COMPOSIÇÃO



ESPECIFICAÇÕES TÉCNICAS

	REVESTIMENTO	Couro <input checked="" type="checkbox"/>	Tecido <input checked="" type="checkbox"/>			
	ENCHIMENTO	Arms <input type="checkbox"/> Fibra <input checked="" type="checkbox"/> Espuma <input type="checkbox"/> Pena/Fibra Mix <input type="checkbox"/> Pena	Seat cushion <input type="checkbox"/> Fibra <input checked="" type="checkbox"/> Espuma <input type="checkbox"/> Pena/Fibra Mix <input type="checkbox"/> Pena	Back cushion <input type="checkbox"/> Fibra <input checked="" type="checkbox"/> Espuma <input type="checkbox"/> Pena/Fibra Mix <input type="checkbox"/> Pena		
	CONFORTO	Standard <input checked="" type="checkbox"/>	Firme <input type="checkbox"/>			
	Função	Cama <input type="checkbox"/>	Mecanismo elétrico <input type="checkbox"/>	Mecanismo <input type="checkbox"/>	Reclinável <input type="checkbox"/>	Assento com deslizamento <input type="checkbox"/>
	PÉS	Madeira <input type="checkbox"/>	Metal <input type="checkbox"/>	Plástico <input type="checkbox"/>	Rodízios <input type="checkbox"/>	Estofado <input type="checkbox"/>

NOTAS

- Para permitir a modularidade, os elementos individuais podem ser colocados juntos graças aos batentes de borracha sob os pés.
- --- Model Puzzle with its two size module seats (versione 312 or 281) is particularly suitable for "reverse seating" sectional configurations. Seat versions (312, 281) and corner (489) come with loose back cushions in same cover as the rest of the element (the loose back cushion is not orderable seperately).
- --- 2 arms with different dimensions (233 with slim/high arm or vers 225 with large/low arm). The single arm can be used both on left or right side of your sectional throughout a universal connector.
- --- 2 size ottomans (versions 010 or 100) that can both be used as a terminal elmeent or in the middle of the seats of your sectional.

NOTAS
